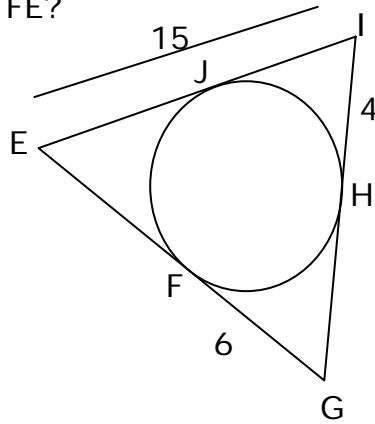


**Perimeter of Polygons with Inscribed Circles - Matching Worksheet**

Write the letter of the answer that matches the problem.

1. Find the FE?

\_\_\_\_\_

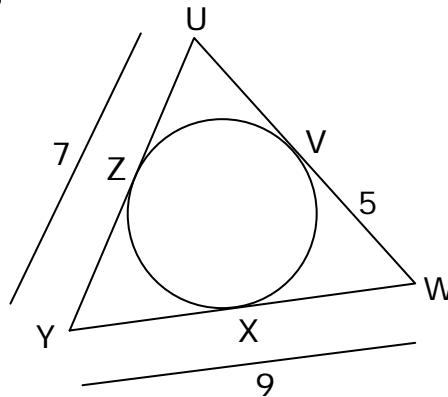


a.

PQ = 10

2. Find the UV?

\_\_\_\_\_

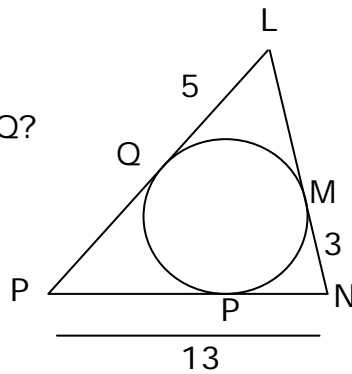


b.

FE = 11

3. Find the PQ?

\_\_\_\_\_



c.

UV = 3

