

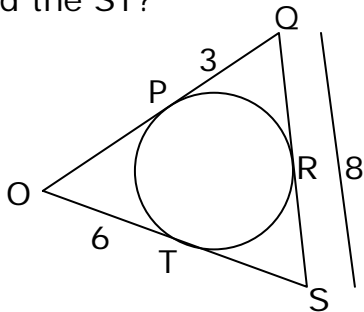
Name _____

Date _____

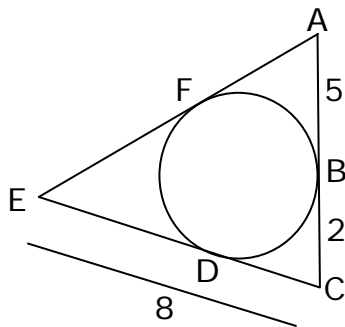
Perimeter of Polygons with Inscribed Circles - Independent Practice Worksheet

Complete all the problems.

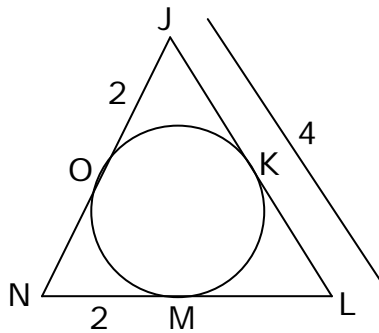
1. Find the ST?



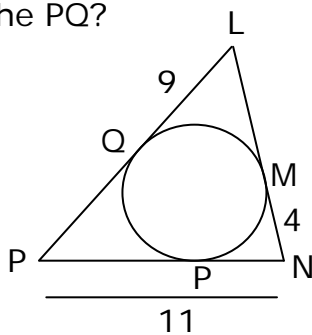
2. Find the FE?



3. Find the ML?



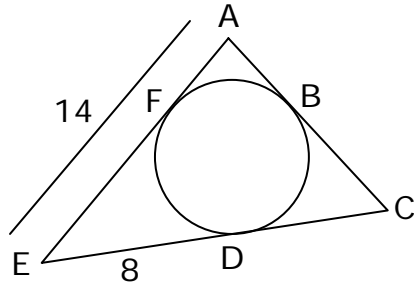
4. Find the PQ?



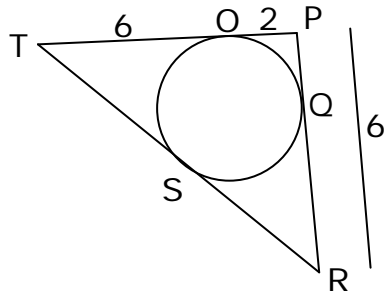
Name _____

Date _____

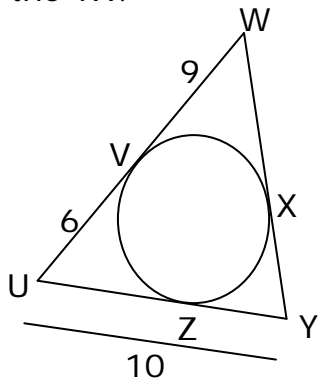
5. Find the AB?



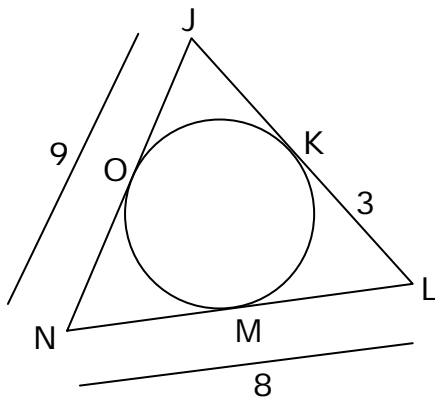
6. Find the SR?



7. Find the YX?



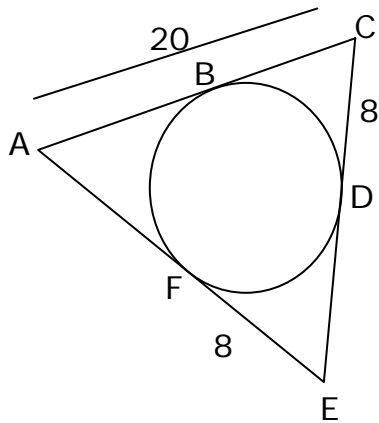
8. Find the JK?



Name _____

Date _____

9. Find the FA?



10. Find the ML?

