

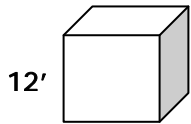
Name: _____

Date _____

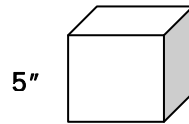
Topic : Finding the Surface Area and Volume of a Cube- Worksheet 1

Find the surface area (SA) or volume (V) for each cube:

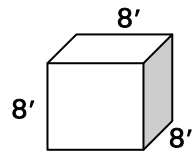
1. SA = _____



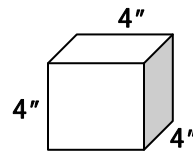
6. SA = _____



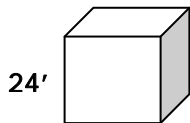
2. V = _____



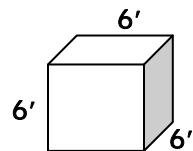
7. V = _____



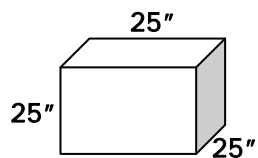
3. SA = _____



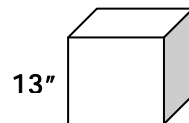
8. V = _____



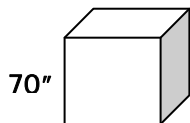
4. V = _____



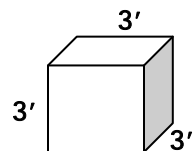
9. SA = _____



5. SA = _____



10. V = _____

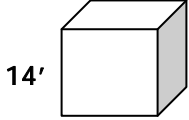
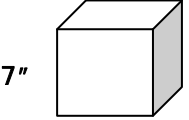
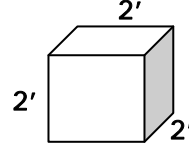
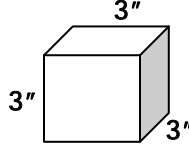
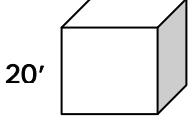
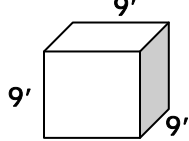
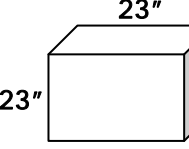
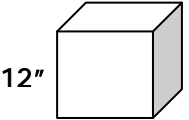
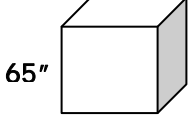
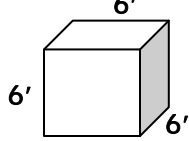


Name: _____

Date _____

Topic : Finding the Surface Area and Volume of a Cube- Worksheet 2

Find the surface area (SA) or volume (V) for each cube:

$1 \cdot SA = \underline{\hspace{2cm}}$ 	$6 \cdot SA = \underline{\hspace{2cm}}$ 
$2 \cdot V = \underline{\hspace{2cm}}$ 	$7 \cdot V = \underline{\hspace{2cm}}$ 
$3 \cdot SA = \underline{\hspace{2cm}}$ 	$8 \cdot V = \underline{\hspace{2cm}}$ 
$4 \cdot V = \underline{\hspace{2cm}}$ 	$9 \cdot SA = \underline{\hspace{2cm}}$ 
$5 \cdot SA = \underline{\hspace{2cm}}$ 	$10 \cdot V = \underline{\hspace{2cm}}$ 

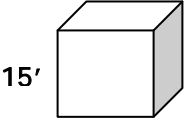
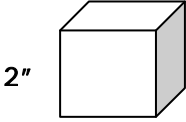
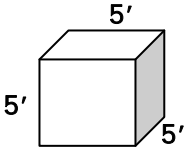
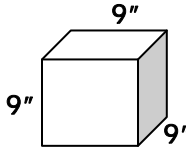
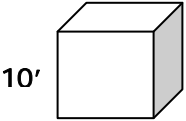
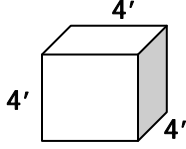
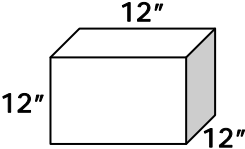
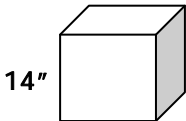
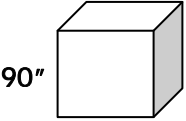
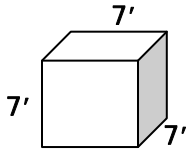


Name: _____

Date _____

Topic : Finding the Surface Area and Volume of a Cube- Worksheet 3

Find the surface area (SA) or volume (V) for each cube:

$1 \cdot SA = \underline{\hspace{2cm}}$ 	$6 \cdot SA = \underline{\hspace{2cm}}$ 
$2 \cdot V = \underline{\hspace{2cm}}$ 	$7 \cdot V = \underline{\hspace{2cm}}$ 
$3 \cdot SA = \underline{\hspace{2cm}}$ 	$8 \cdot V = \underline{\hspace{2cm}}$ 
$4 \cdot V = \underline{\hspace{2cm}}$ 	$9 \cdot SA = \underline{\hspace{2cm}}$ 
$5 \cdot SA = \underline{\hspace{2cm}}$ 	$10 \cdot V = \underline{\hspace{2cm}}$ 

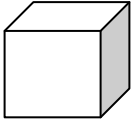
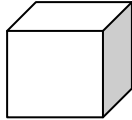
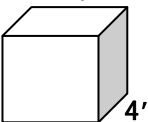
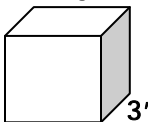
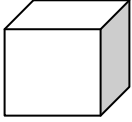
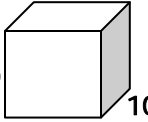
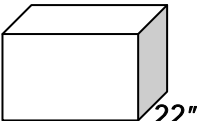
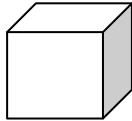
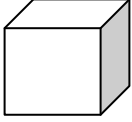
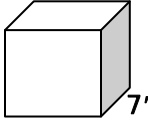


Name: _____

Date _____

Topic : Finding the Surface Area and Volume of a Cube- Worksheet 4

Find the surface area (SA) or volume (V) for each cube:

$1 \cdot SA = \underline{\hspace{2cm}}$ 21' 	$6 \cdot SA = \underline{\hspace{2cm}}$ 5" 
$2 \cdot V = \underline{\hspace{2cm}}$ 4'  4'	$7 \cdot V = \underline{\hspace{2cm}}$ 3"  3"
$3 \cdot SA = \underline{\hspace{2cm}}$ 40' 	$8 \cdot V = \underline{\hspace{2cm}}$ 10'  10'
$4 \cdot V = \underline{\hspace{2cm}}$ 22"  22"	$9 \cdot SA = \underline{\hspace{2cm}}$ 13" 
$5 \cdot SA = \underline{\hspace{2cm}}$ 50" 	$10 \cdot V = \underline{\hspace{2cm}}$ 7'  7'

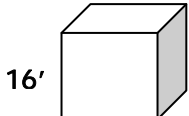
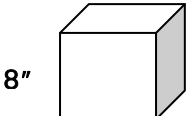
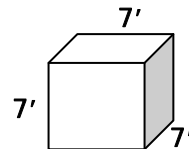
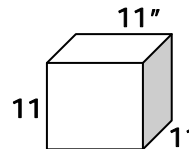
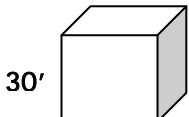
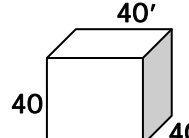
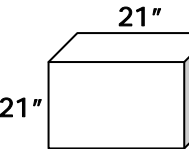
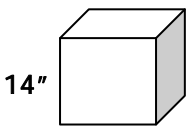
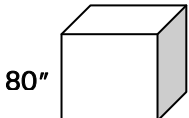
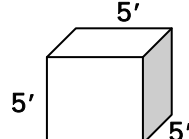


Name: _____

Date _____

Topic : Finding the Surface Area and Volume of a Cube- Worksheet 5

Find the surface area (SA) or volume (V) for each cube:

$1 \cdot SA = \underline{\hspace{2cm}}$  16'	$6 \cdot SA = \underline{\hspace{2cm}}$  8"
$2 \cdot V = \underline{\hspace{2cm}}$  7' 7' 7'	$7 \cdot V = \underline{\hspace{2cm}}$  11 11 11"
$3 \cdot SA = \underline{\hspace{2cm}}$  30'	$8 \cdot V = \underline{\hspace{2cm}}$  40 40 40'
$4 \cdot V = \underline{\hspace{2cm}}$  21" 21" 21"	$9 \cdot SA = \underline{\hspace{2cm}}$  14"
$5 \cdot SA = \underline{\hspace{2cm}}$  80"	$10 \cdot V = \underline{\hspace{2cm}}$  5' 5' 5'

