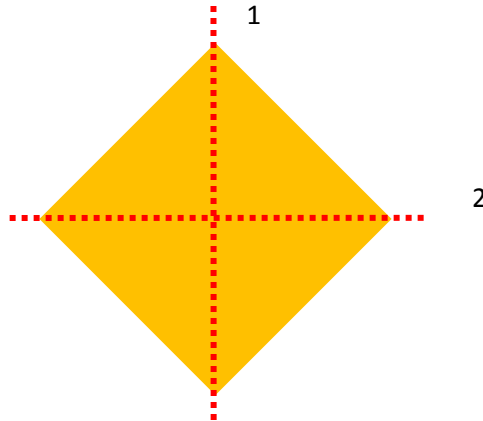


Lines of Symmetry in 2-D Figures - Guided Lesson Explanation**Explanation to #1**

When we fold a shape in half and one half covers the other half, and we can say that the shape is symmetrical. And the fold line is the axis of symmetry.



There are a number of ways to do this. Above are the 2 most common answers. If you are a real smarty pants, you might draw diagonal lines.

After observing the figure, we can see that dotted line is dividing into two equal parts.

Explanation to #2

Imagine folding this picture along the dotted line.



The two sides will not match up exactly. The dotted line is not a line of symmetry.

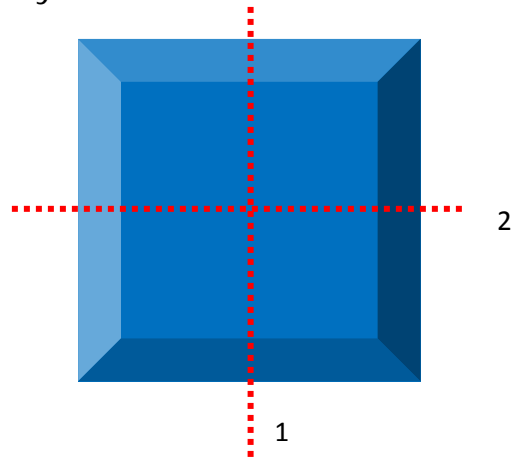


Name _____

Date _____

Explanation to #3

When we fold a shape in half and one half covers the other half, we can say that the shape is symmetrical. And the fold line is the axis of symmetry.



Again, here are the 2 most popular answers.

After observing the figure, we can see that dotted line is dividing into two equal parts.

