

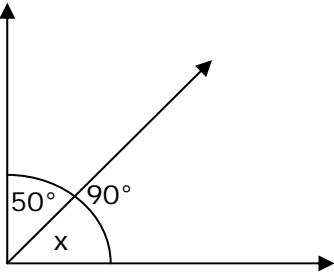
Name \_\_\_\_\_

Date \_\_\_\_\_

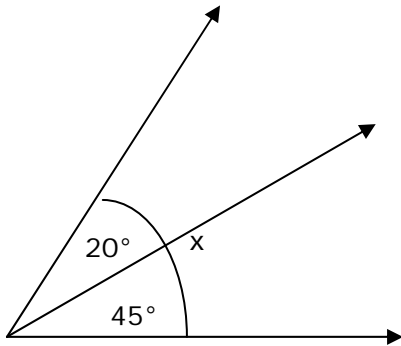
## Adding Angles of Measure - Independent Practice Worksheet

Find the value of  $x$ .

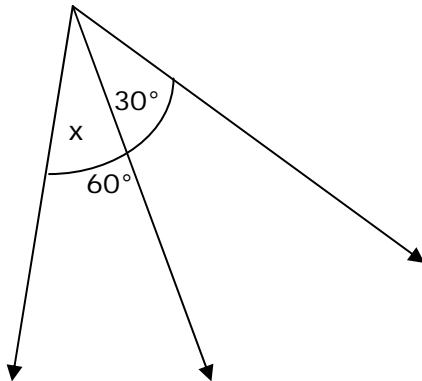
1.



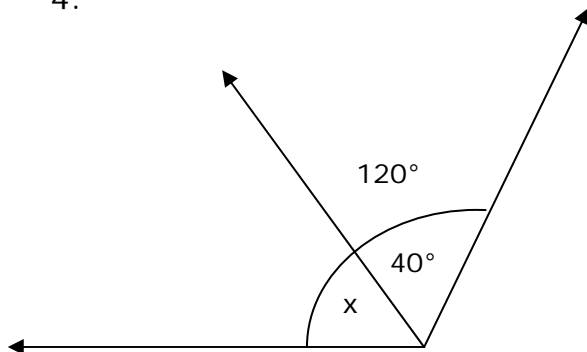
2.



3.



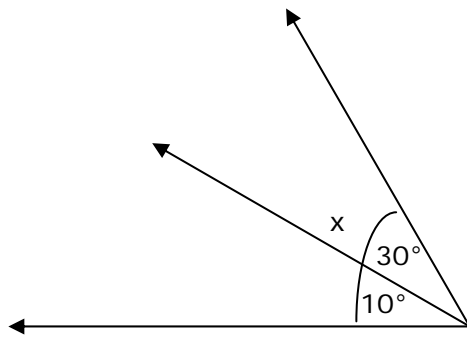
4.



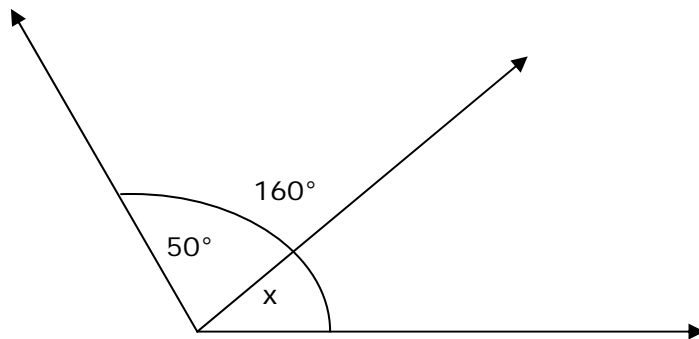
Name \_\_\_\_\_

Date \_\_\_\_\_

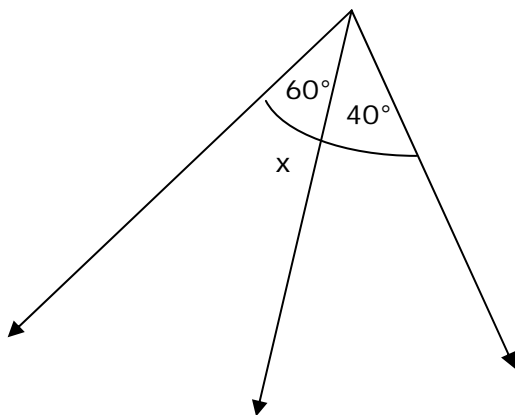
5.



6.



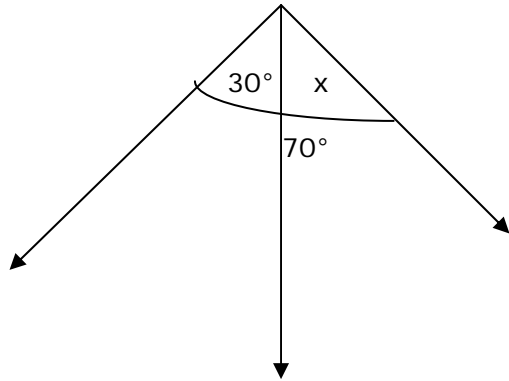
7.



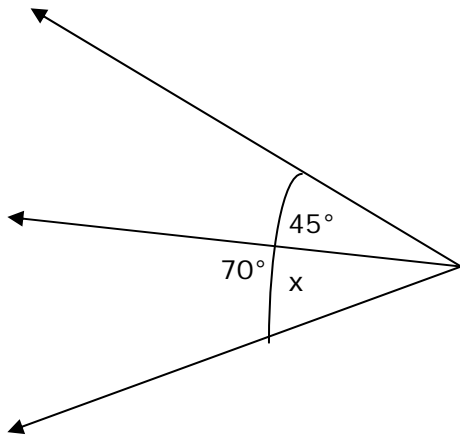
Name \_\_\_\_\_

Date \_\_\_\_\_

8.



9.



10.

