

Name _____

Date _____

Recognize Area as Additive - Independent Practice Worksheet

Solve the following word problems by finding out the area:

1. A rectangle is 8 meters long and 7 meters wide. What is its area?

2. A rectangular wooden piece is 10 centimeters long and 4 centimeters wide. What is its area?

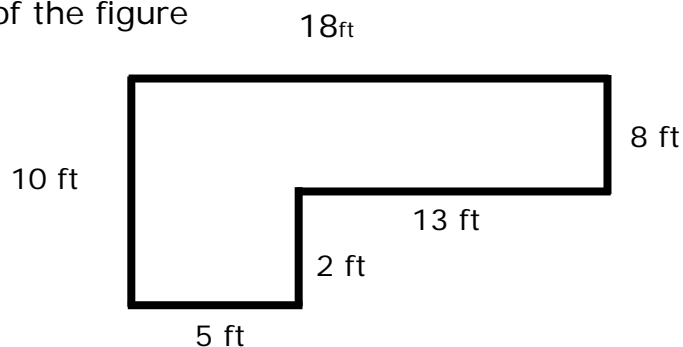
3. A square candy box has sides that are 20 feet long. What is the candy box's area?

4. Johnson's house was \$112.00 per square meter to build. The house is 12 meters wide and 18 meters long. How much did it cost to build the house?



5. A rectangular room is 20 meters by 25 meters. It would cost \$20.00 per square meter to paint a room. How much would it cost to paint the room?

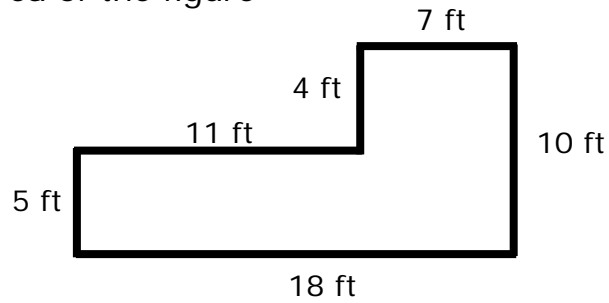
6. Find the area of the figure



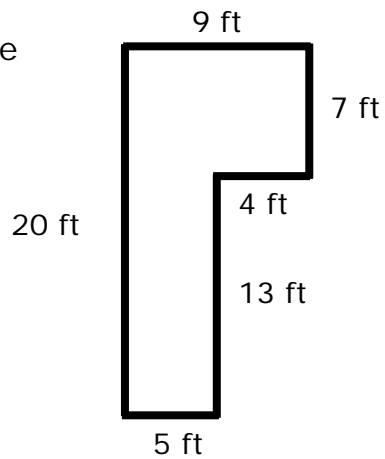
Name _____

Date _____

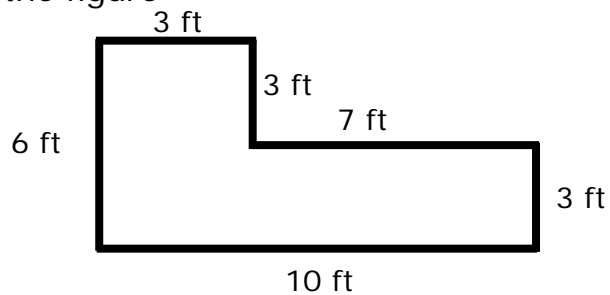
7. Find the area of the figure



8. Find the area of the figure



9. Find the area of the figure



10. Find the area of the figure

